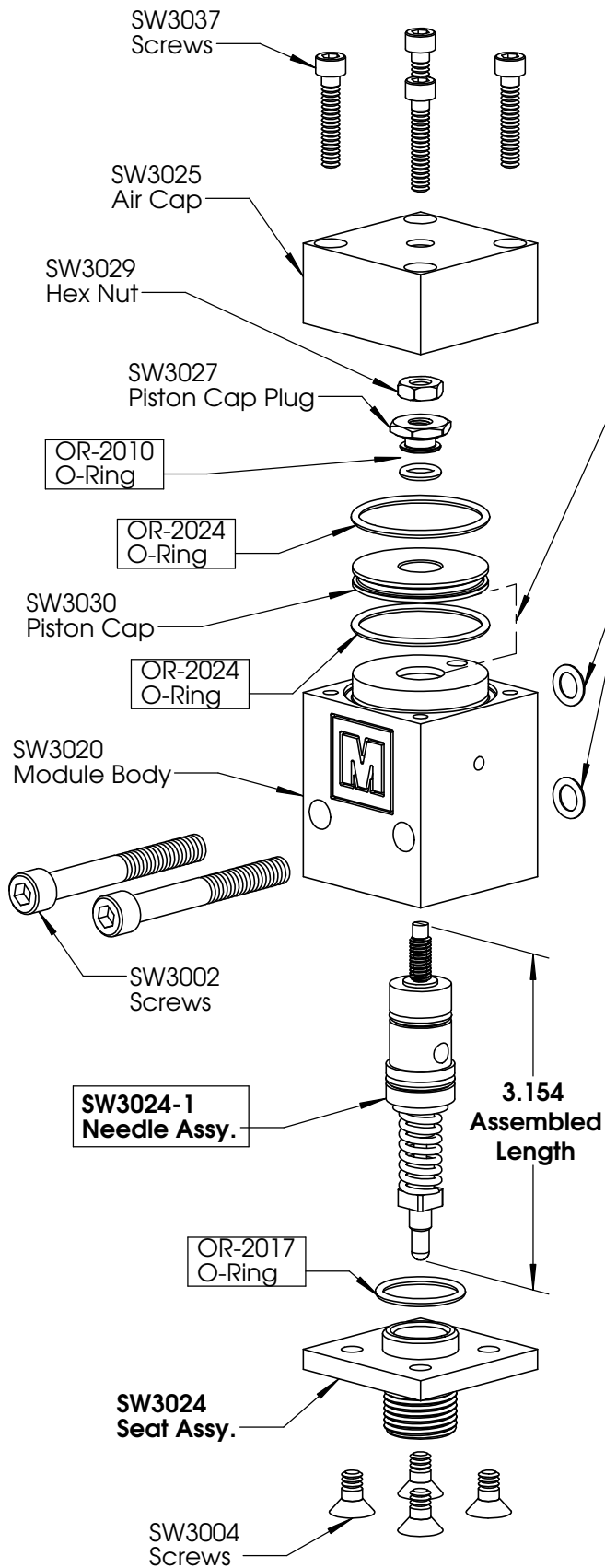
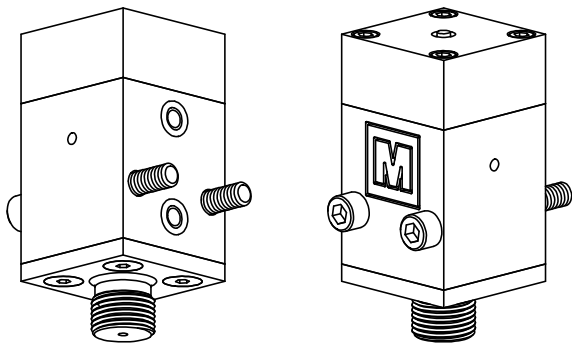


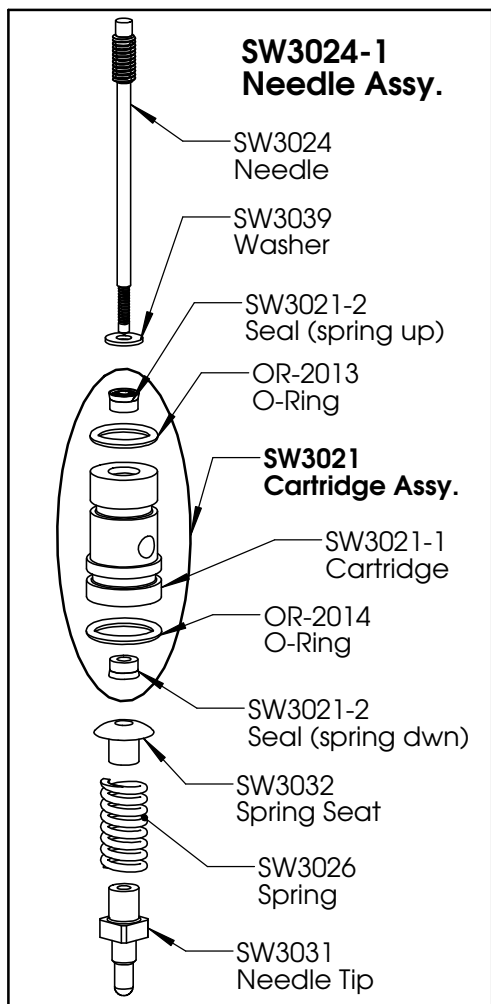
ZONE		REV.	REVISIONS		DATE	APPROVED
			DESCRIPTION			



Important:
There must be a gap from .025 to .030 between the piston cap bottom and the module body top when assembled.



Boxed items are part of SW3000-NCA rebuild kit



<p>PROPRIETARY AND CONFIDENTIAL</p> <p>THE INFORMATION CONTAINED IN THIS DRAWING IS THE SOLE PROPERTY OF MELTPRO. ANY REPRODUCTION IN PART OR AS A WHOLE WITHOUT THE WRITTEN PERMISSION OF MELTPRO IS PROHIBITED.</p>			<p>DIMENSIONS ARE IN INCHES TOLERANCES: FRACTIONAL $\pm 1/64$ ANGULAR: MACH ± 0.5 BEND \pm ONE PLACE DECIMAL $\pm .015$ TWO PLACE DECIMAL $\pm .010$ THREE PLACE DECIMAL $\pm .005$</p> <p>MATERIAL:</p> <p>FINISH: XXXXXX</p> <p>Weight: lbs.</p>	NAME	DATE	<p>MELTPRO</p> <p>Description: Service Print 3000 Series Module Assy. Standard Flow</p>	
	NEXT ASSY	USED ON		DRAWN	JAO		09/18/14
	APPLICATION			CHECKED			
				ENG APPR.			
				MFG APPR.		<p>Q.A.</p> <p>COMMENTS:</p>	
						<p>SIZE DWG. NO.</p> <p>A SW3000</p> <p>SCALE: 1:1 DO NOT SCALE DRAWING SHEET 1 OF 1</p>	
						<p>REV.</p> <p>O</p>	