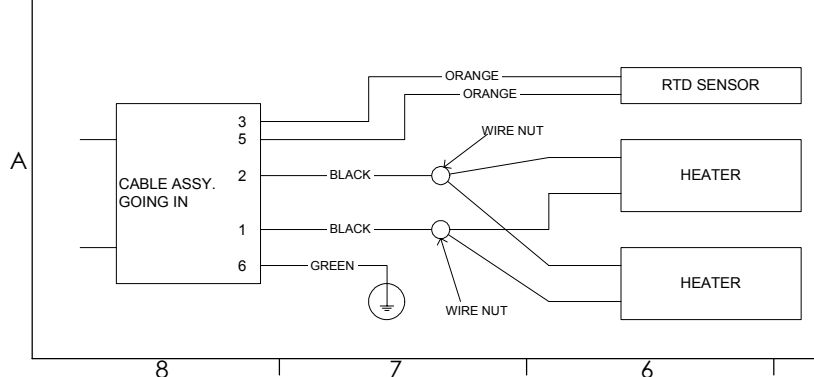
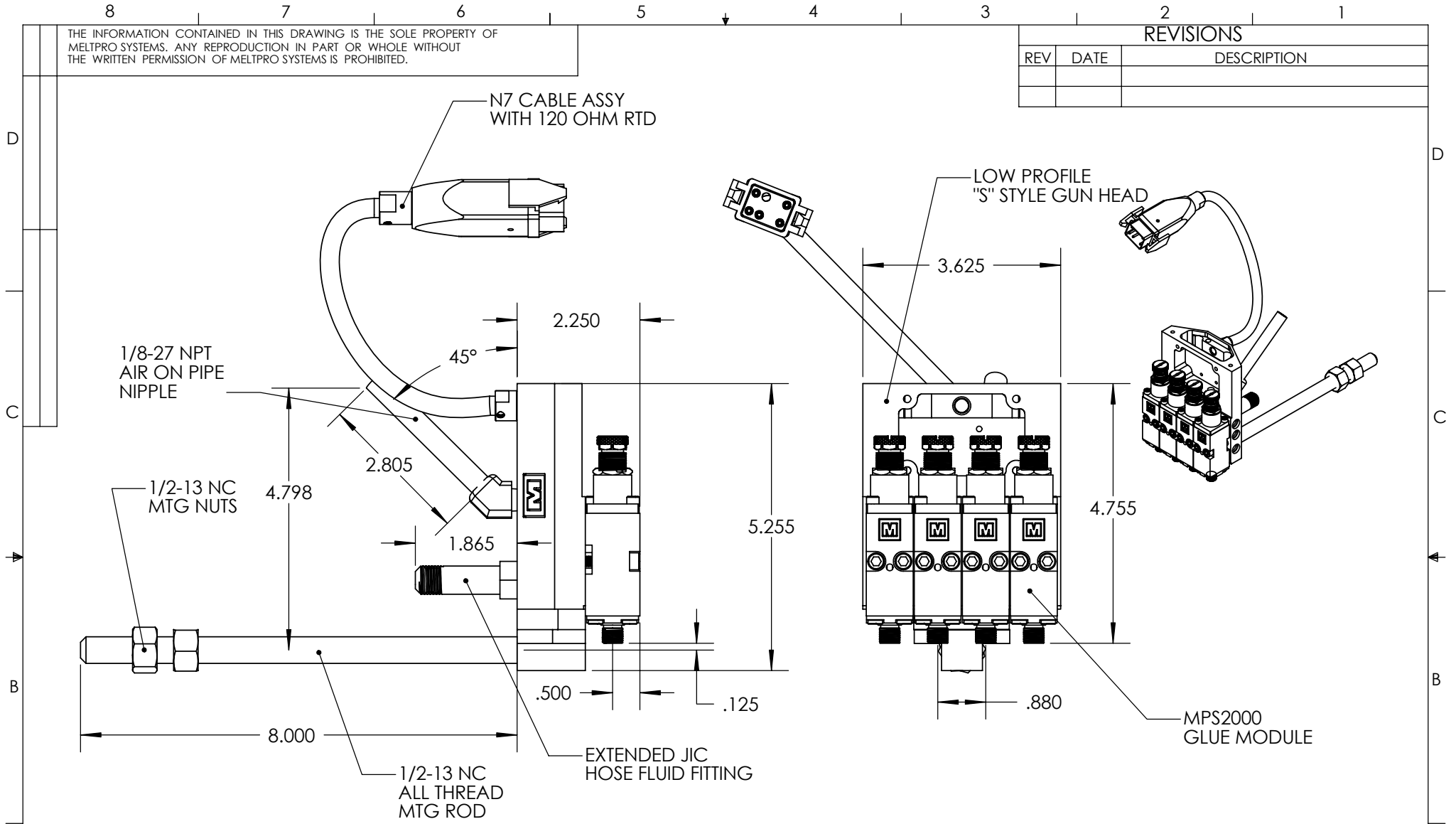


THE INFORMATION CONTAINED IN THIS DRAWING IS THE SOLE PROPERTY OF MELTPRO SYSTEMS. ANY REPRODUCTION IN PART OR WHOLE WITHOUT THE WRITTEN PERMISSION OF MELTPRO SYSTEMS IS PROHIBITED.

REVISIONS		
REV	DATE	DESCRIPTION



ITEM NO.	PART OR IDENTIFYING NO.	NOMENCLATURE OR DESCRIPTION	MATERIAL SPECIFICATION	QTY REQD
PARTS LIST				
UNLESS OTHERWISE SPECIFIED DIMENSIONS ARE IN INCHES		CAD GENERATED DRAWING, DO NOT MANUALLY UPDATE		
TOLERANCES ARE:		APPROVALS		
FRACTIONS DECIMALS ANGLES		DATE		
+/- 1/32 .X = .015 = .5		DRAWN JAO 04/13/04		
.XX = .010		CHECKED		
.XXX = .005		RESP ENG		
MATERIAL		MFG ENG		
--		QUAL ENG		
FINISH		DO NOT SCALE DRAWING		
--		SCALE		
NEXT ASSY USED ON		DWG. NO. NO20S42-N7		
APPLICATION		REV. <input type="radio"/>		
		SHEET 1 OF 1		

MELTPRO SYSTEMS

LOW PROFILE 4 OUTLET GLUE APPLICATOR GUN

SCALE CAD FILE: SHEET 1 OF 1