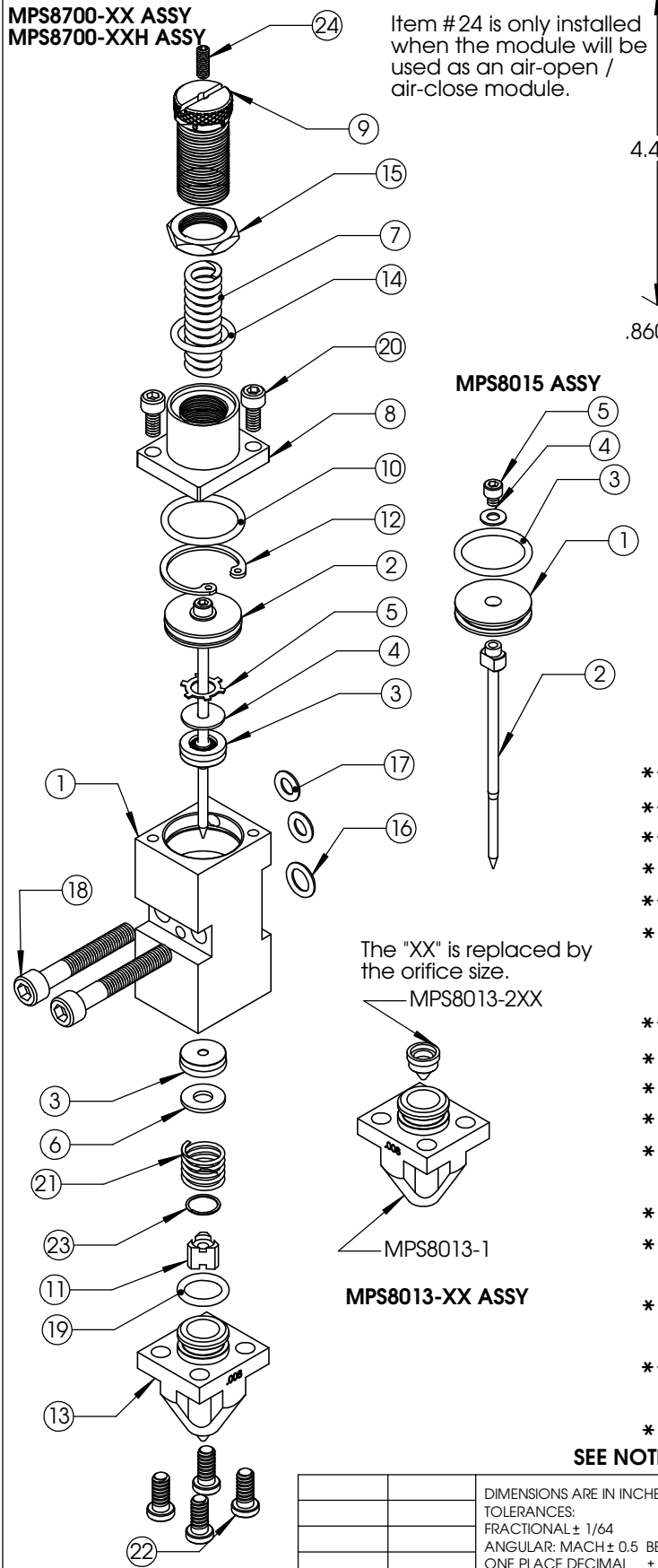
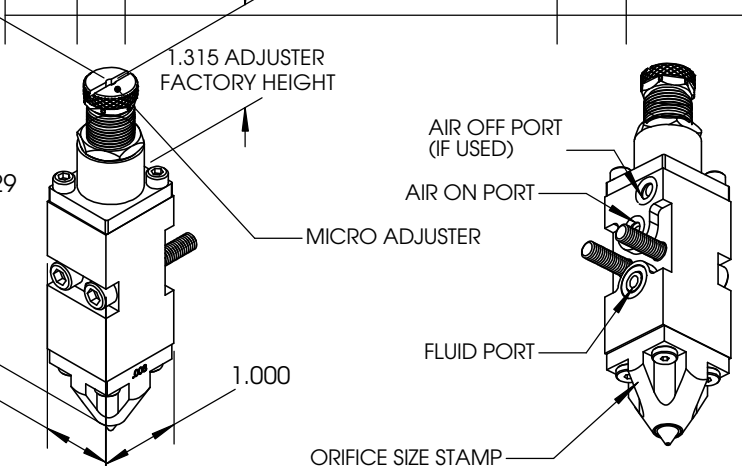


NOTE:
 Item # 24 not installed makes the MPS8700-XX spring close assy.
 Item # 24 installed makes the MPS8700-XXH air close assy.

MPS8700-XX ASSY
MPS8700-XXH ASSY



ZONE		REV.		REVISIONS		DATE	APPROVED
				DESCRIPTION			



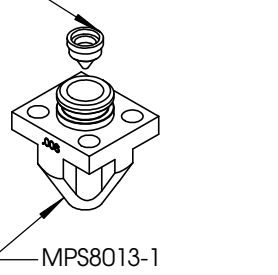
MPS8015			
ITEM NO.	QTY.	PART NO.	DESCRIPTION
1	1	SW2019	PISTON CAP
2	1	MPS8015-1	8000 PISTON NEEDLE
3	1	OR-2016	VITON O-RING
4	1	SW2018	STEEL WASHER
5	1	SW2017	4-40 X .125 SHCS

Highlighted parts are included with MPS8000-xxNCA

MPS8700			
ITEM NO.	QTY.	PART NO.	DESCRIPTION
1	1	MPS2005A	MODULE BODY
** 2	1	MPS8015	PISTON ASSY
** 3	2	SW2010	MODULE SEALS
** 4	1	SW2010-1	THIN WHITE WASHER
** 5	1	SW2016	STAR RETAINING RING
** 6	1	SW2009	STEEL WASHER
** 7	1	SW2014	AIR SIDE SPRING
8	1	MPS2020	AIR CAP
9	1	MPS2004	MODULE MICRO-ADJUSTER
** 10	1	OR-2017	VITON O-RING
** 11	1	SW2023	NEEDLE GUIDE
** 12	1	MPS2007	SNAP RING
** 13	1	MPS8013-XX	ZC FLUID SEAT ASSYS
** 14	1	OR-2014	VITON O-RING
15	1	MPS2022	1/2-40 PANEL NUT
** 16	1	OR-3902	VITON O-RING
** 17	2	OR-2008	VITON O-RING
18	2	SW2002	10-32 X 1.187 SHCS
** 19	1	OR-2012	VITON O-RING
** 20	2	SW2008	6-32 X .312 SHCS
** 21	1	SW2012	FLUID SIDE SPRING
** 22	4	SW2024	8-32 X .375 LHSCS
** 23	1	SW8024	SNAP RING
** 24	1	SW8021	#5-40 X 3/8 SOCKET SET SCREW

SEE NOTE

The "XX" is replaced by the orifice size.
 MPS8013-2XX



MPS8013-XX ASSY

		DIMENSIONS ARE IN INCHES TOLERANCES: FRACTIONAL ± 1/64 ANGULAR: MACH ± 0.5 BEND ± ONE PLACE DECIMAL ± .015 TWO PLACE DECIMAL ± .010 THREE PLACE DECIMAL ± .005
		MATERIAL
		FINISH
NEXT ASSY	USED ON	
APPLICATION		DO NOT SCALE DRAWING

	NAME	DATE
DRAWN	JAO	11/14/05
CHECKED		
ENG APPR.		
MFG APPR.		
Q.A.		
COMMENTS:		

PROPRIETARY AND CONFIDENTIAL
 THE INFORMATION CONTAINED IN THIS DRAWING IS THE SOLE PROPERTY OF MELTPRO. ANY REPRODUCTION IN PART OR AS A WHOLE WITHOUT THE WRITTEN PERMISSION OF MELTPRO IS PROHIBITED.

MELTPRO
MPS8700 SERIES
AOAC OR AOSC
MICRO ADJUSTABLE
ZERO CAVITY
MODULE SERVICE PRINT

SIZE	DWG. NO.	REV.
A	MPS8700-XX / MPS8700-XXH	A
SCALE: 1:1	WEIGHT:	SHEET 1 OF 1