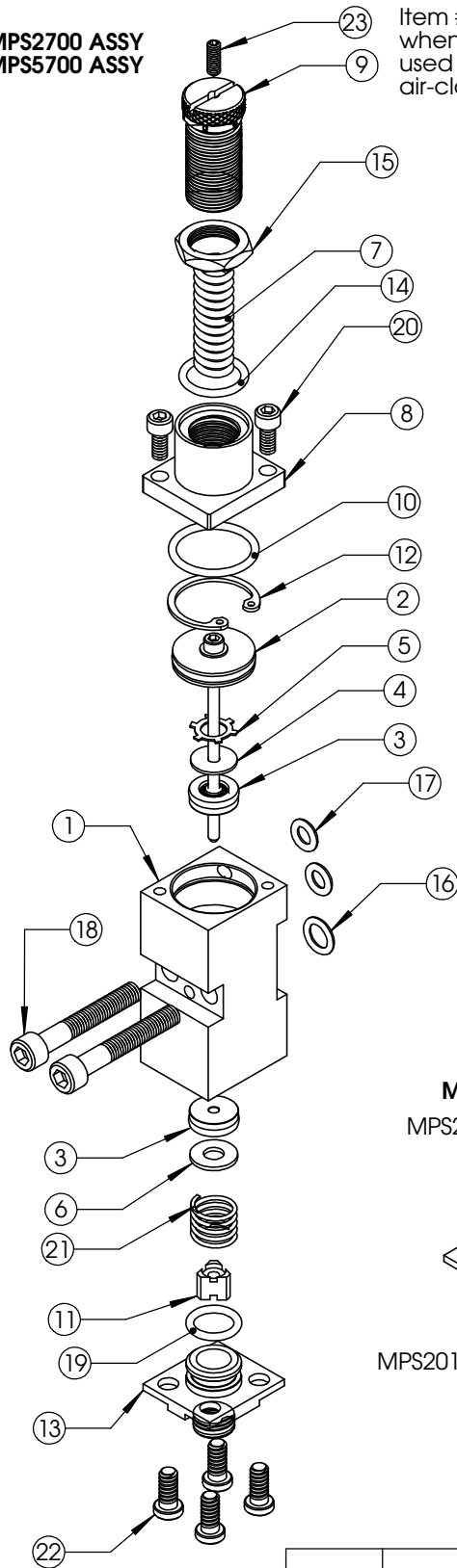


NOTE:  
 Item #23 not installed makes the MPS2700 spring close assy.  
 Item #23 installed makes the MPS5700 air close assy.

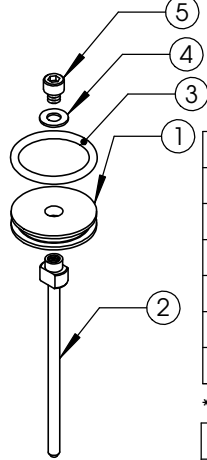
| ZONE |  | REV. |  | REVISIONS                    |  | DATE | APPROVED |
|------|--|------|--|------------------------------|--|------|----------|
|      |  |      |  | DESCRIPTION                  |  |      |          |
|      |  |      |  | 1.31 ADJUSTER FACTORY HEIGHT |  |      |          |

**MPS2700 ASSY**  
**MPS5700 ASSY**

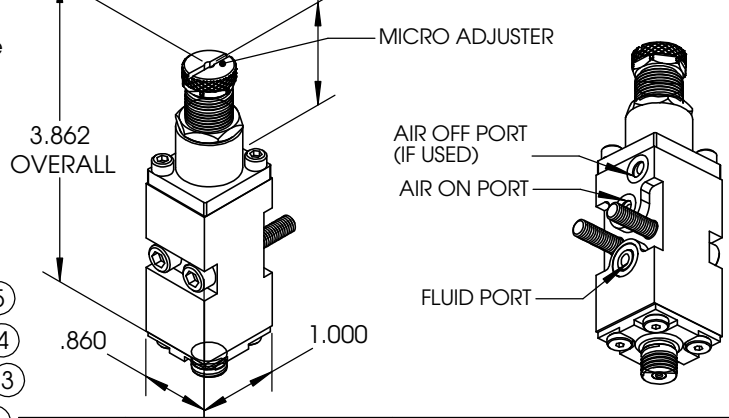
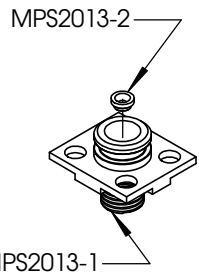


Item #23 is only installed when the module will be used as an air-open / air-close module.

**MPS2015 ASSY**



**MPS2013 ASSY**



| ITEM NO. | QTY. | PART NO.  | DESCRIPTION        |
|----------|------|-----------|--------------------|
| 1        | 1    | SW2019    | PISTON CAP         |
| 2        | 1    | MPS2015-1 | 2000 PISTON NEEDLE |
| 3        | 1    | OR-2016   | VITON O-RING       |
| 4        | 1    | SW2018    | STEEL WASHER       |
| 5        | 1    | SW2017    | 4-40 X .125 SHCS   |

\*\* Highlighted parts are included with MPS2000-NCA rebuild kit. \*\*

| <b>MPS2700</b> |      |          |             |                              |
|----------------|------|----------|-------------|------------------------------|
| ITEM NO.       | QTY. | PART NO. | DESCRIPTION |                              |
| 1              | 1    | MPS2005A | MODULE BODY |                              |
| **             | 2    | 1        | MPS2015     | PISTON ASSY.                 |
| **             | 3    | 2        | SW2010      | MODULE SEALS                 |
| **             | 4    | 1        | SW2010-1    | THIN WHITE WASHER            |
| **             | 5    | 1        | SW2016      | STAR RETAINING RING          |
| **             | 6    | 1        | SW2009      | STEEL WASHER                 |
| **             | 7    | 1        | SW2014      | AIR SIDE SPRING              |
|                | 8    | 1        | MPS2020     | AIR CAP                      |
|                | 9    | 1        | MPS2004     | MODULE MICRO-ADJUSTER        |
| **             | 10   | 1        | OR-2017     | VITON O-RING                 |
| **             | 11   | 1        | SW2023      | NEEDLE GUIDE                 |
| **             | 12   | 1        | MPS2007     | SNAP RING                    |
| **             | 13   | 1        | MPS2013     | 2000 FLUID SEAT ASSY.        |
| **             | 14   | 1        | OR-2014     | VITON O-RING                 |
|                | 15   | 1        | MPS2022     | 1/2-40 PANEL NUT             |
| **             | 16   | 1        | OR-3902     | VITON O-RING                 |
| **             | 17   | 2        | OR-2008     | VITON O-RING                 |
|                | 18   | 2        | SW2002      | 10-32 X 1.187 SHCS           |
| **             | 19   | 1        | OR-2012     | VITON O-RING                 |
|                | 20   | 2        | SW2008      | 6-32 X .312 SHCS             |
| **             | 21   | 1        | SW2012      | FLUID SIDE SPRING            |
|                | 22   | 4        | SW2024      | 8-32 X .375 LHSCS            |
|                | 23   | 1        | SW8021      | #5-40 X 3/8 SOCKET SET SCREW |

SEE NOTE

|             |         |   |  |
|-------------|---------|---|--|
|             |         | DIMENSIONS ARE IN INCHES<br>TOLERANCES:<br>FRACTIONAL ± 1/64<br>ANGULAR: MACH ± 0.5 BEND ± ONE PLACE DECIMAL ± .015<br>TWO PLACE DECIMAL ± .010<br>THREE PLACE DECIMAL ± .005 |  |
|             |         | MATERIAL  |  |
|             |         | FINISH  |  |
| NEXT ASSY   | USED ON |   |  |
| APPLICATION |         | DO NOT SCALE DRAWING  |  |

|           |      |          |
|-----------|------|----------|
|           | NAME | DATE     |
| DRAWN     | JAO  | 11/14/05 |
| CHECKED   |      |          |
| ENG APPR. |      |          |
| MFG APPR. |      |          |
| Q.A.      |      |          |
| COMMENTS: |      |          |

**MELTPRO**  
**MPS2700 SERIES**  
**AOAC OR AOSC**  
**MICRO ADJUSTABLE**  
**MODULE SERVICE PRINT**

**PROPRIETARY AND CONFIDENTIAL**  
 THE INFORMATION CONTAINED IN THIS DRAWING IS THE SOLE PROPERTY OF MELTPRO. ANY REPRODUCTION IN PART OR AS A WHOLE WITHOUT THE WRITTEN PERMISSION OF MELTPRO IS PROHIBITED.

|            |                          |              |
|------------|--------------------------|--------------|
| SIZE       | DWG. NO.                 | REV.         |
| <b>A</b>   | <b>MPS2700 / MPS5700</b> | <b>A</b>     |
| SCALE: 1:1 | WEIGHT:                  | SHEET 1 OF 2 |