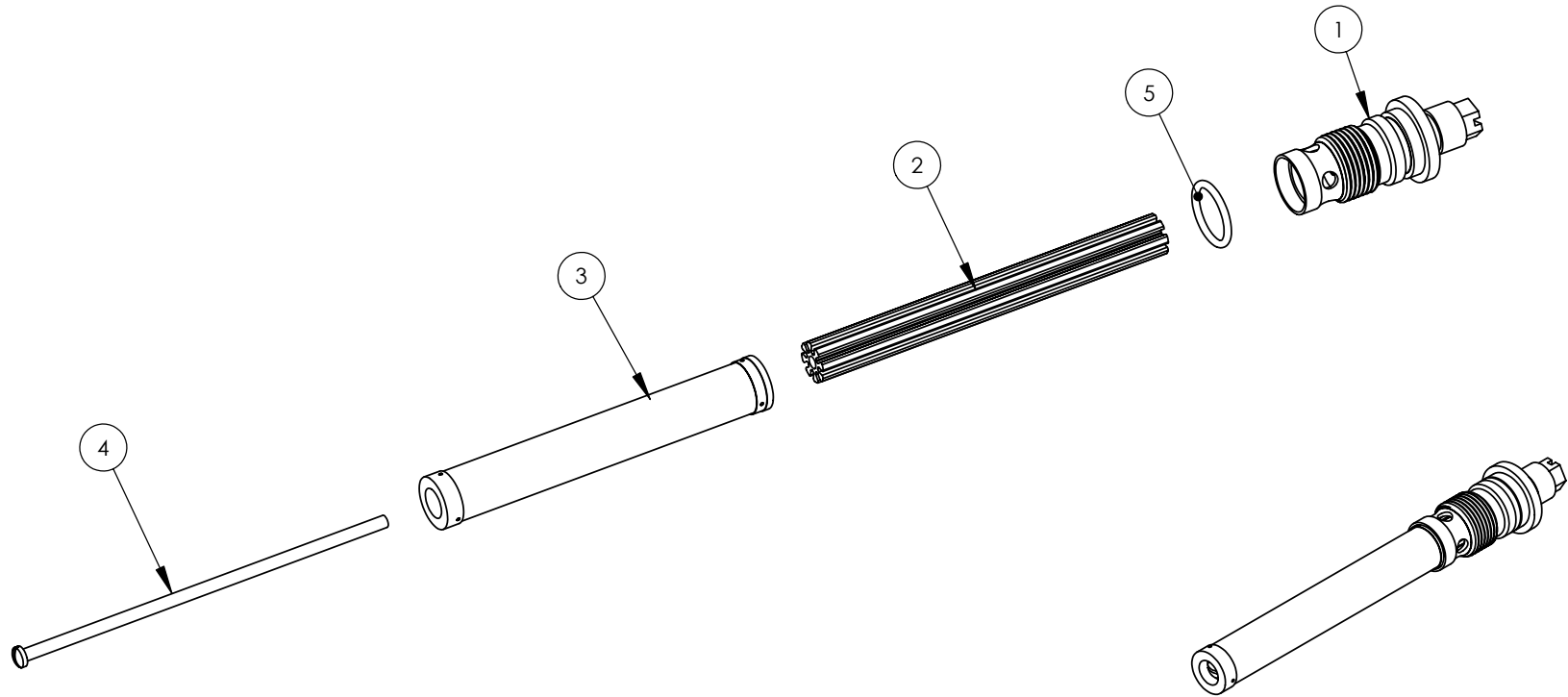


THE INFORMATION CONTAINED IN THIS DRAWING IS THE SOLE PROPERTY OF MELTPRO SYSTEMS. ANY REPRODUCTION IN PART OR AS A WHOLE WITHOUT THE WRITTEN PERMISSION OF MELTPRO SYSTEMS IS PROHIBITED.

REVISIONS			
ZONE	REV.	DESCRIPTION	DATE
	00	Initial Design	12/16/03



ITEM NO.	QTY.	PART NO.	DESCRIPTION
1	1	MPS1410	FILTER BUNG
2	1	MPS1411	FILTER CORE
3	1	MPS1413	FILTER ASSY. 100 MESH
4	1	MPS1412	# 10-32 X 6" PAN HEAD SCREW
5	1	OR-2117	VITON O-RING

ITEM NO.	PART OR IDENTIFYING NO.	NOMENCLATURE OR DESCRIPTION	MATERIAL SPECIFICATION	QTY REQD.
PARTS LIST				
		UNLESS OTHERWISE SPECIFIED: DIMENSIONS ARE IN INCHES TOLERANCES: FRACTIONS DECIMALS ANGLES +/- 1/32 X = .015 = .5 XX = .010 XXX = .005	CAD GENERATED DRAWING, DO NOT MANUALLY UPDATE	
		INTERPRET GEOMETRIC TOLERANCING PER:	DATE: 12/16/03 NAME: BW	
		MATERIAL	CHECKED	
		FINISH	RESP ENG	
NEXT ASSY	USED ON		MFG ENG	
APPLICATION			QUAL ENG	
			MELTPRO SYSTEMS	
			TITLE: TANK FILTER ASSY SERVICE PRINT	
		SIZE: B	DWG. NO.: MPS1400	REV: 00
		SCALE: 1:1	WEIGHT:	SHEET 1 OF 1