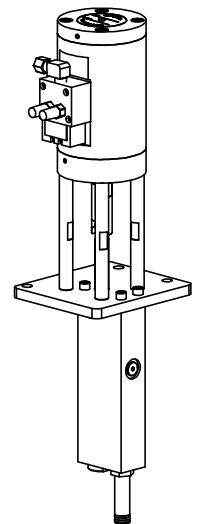


**MPS1200
16:1 PISTON PUMP**



REVISIONS				
ZONE	REV.	DESCRIPTION	DATE	APPROVED
	A	UPDATED	06/14/11	
	B	ADDED MTG PLATE TO LOWER ASSY.	02/15/12	
	C	LOWER ASSY CHANGED TO REV C	07/30/12	

ITEM NO.	QTY.	PART NO.	DESCRIPTION
1	1	MPS1201	UPPER AIR CYLINDER ASSY.
2	1	MPS1202	LOWER FLUID ASSY FOR 20LB UNIT

DIMENSIONS ARE IN INCHES
TOLERANCES:
FRACTIONAL $\pm 1/64$
ANGULAR: MACH ± 0.5 BEND \pm
ONE PLACE DECIMAL $\pm .015$
TWO PLACE DECIMAL $\pm .010$
THREE PLACE DECIMAL $\pm .005$

MATERIAL:

FINISH:
XXXXXX

Weight:
lbs.

	NAME	DATE
DRAWN	JAO	01/03/07
CHECKED		
ENG APPR.		
MFG APPR.		
Q.A.		
COMMENTS:		

MELTPRO

Description:

**16:1 HYDRALIC PISTON PUMP
FITS NC20, MP20, 3000 UNITS**

SIZE	DWG. NO.	REV.
A	MPS1200	C
SCALE: 1:8	DO NOT SCALE DRAWING	SHEET 1 OF 4

PROPRIETARY AND CONFIDENTIAL

THE INFORMATION CONTAINED IN THIS DRAWING IS THE SOLE PROPERTY OF MELTPRO. ANY REPRODUCTION IN PART OR AS A WHOLE WITHOUT THE WRITTEN PERMISSION OF MELTPRO IS PROHIBITED.

NEXT ASSY	USED ON	APPLICATION

THE INFORMATION CONTAINED IN THIS DRAWING IS THE SOLE PROPERTY OF MELTPRO. ANY REPRODUCTION IN PART OR WHOLE WITHOUT THE WRITTEN PERMISSION OF MELTPRO IS PROHIBITED.

REVISIONS

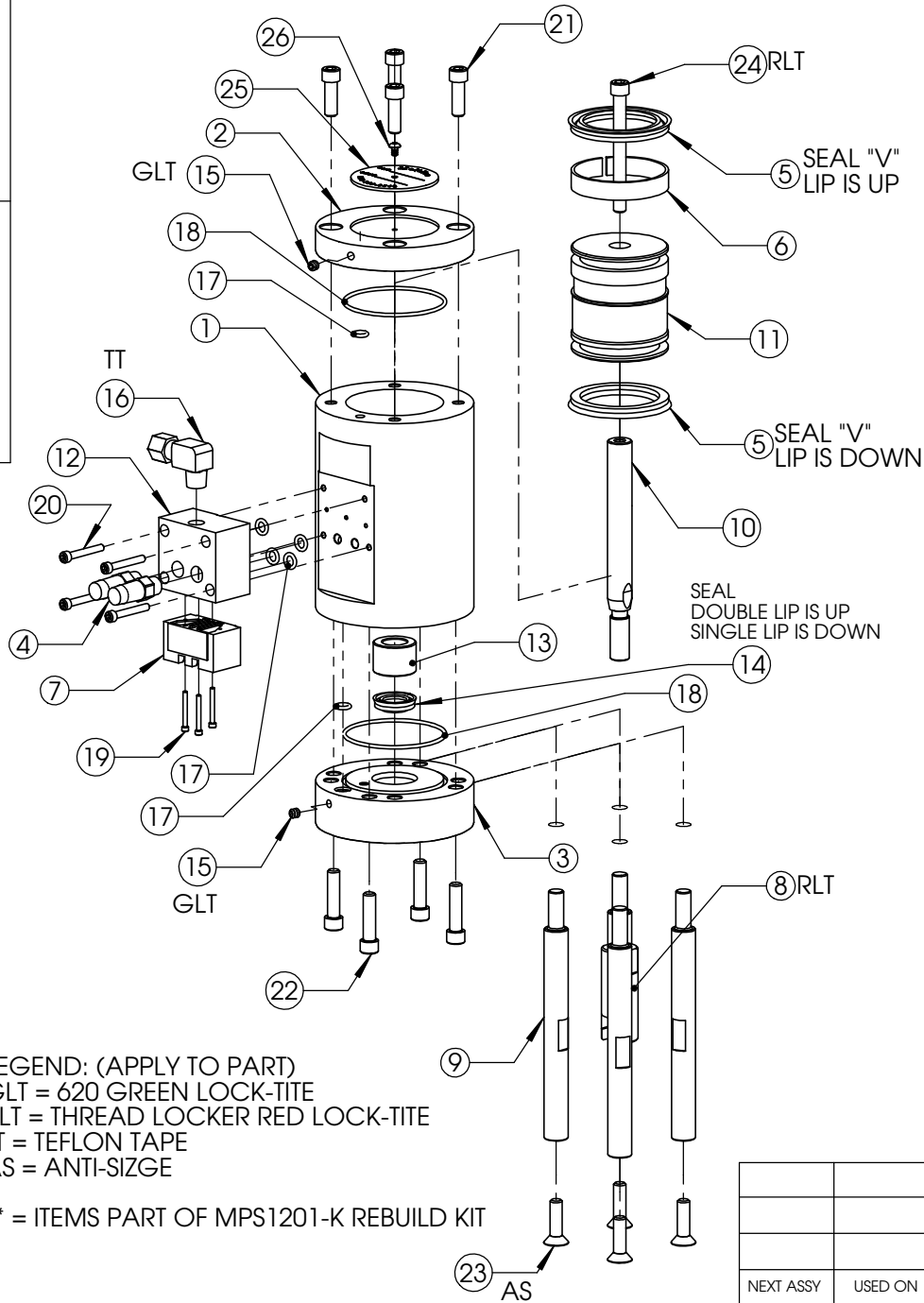
REV	DATE	DESCRIPTION
A	06/14/11	UPDATED
B	02/15/12	UPDATED

D

C

B

A



LEGEND: (APPLY TO PART)
 GLT = 620 GREEN LOCK-TITE
 RLT = THREAD LOCKER RED LOCK-TITE
 TT = TEFLON TAPE
 AS = ANTI-SIZGE

** = ITEMS PART OF MPS1201-K REBUILD KIT

ITEM NO.	QTY.	PART NO.	DESCRIPTION
1	1	MPS1235	AIR CHAMBER BODY
2	1	MPS1233	AIR CHAMBER TOP
3	1	MPS1234	AIR CHAMBER BOTTOM
** 4	2	SV0009	1/8NPT LONG MUFFLER
** 5	2	MPS1230	2" BORE AIR PISTON SEAL
** 6	1	MPS1232	AIR PISTON BEARING RING
** 7	1	MPS1236	4-WAY 2 POS AIR VALVE
8	1	MPS1224	ALIGNMENT COLLET
9	4	MPS1238	STAND OFF RODS
10	1	MPS1229	AIR PISTON SHAFT
11	1	MPS1231	AIR PISTON HEAD
12	1	MPS1227	AIR VALVE BLOCK
** 13	1	MPS1228	AIR SEAL COLLET
** 14	1	MPS1225	AIR WIPER SEAL
15	2	SW20AS020	SET SCREW 10-32 X .187 CUP POINT
** 16	1	SW20AS007	90 x 1/8 compression fitting
** 17	6	OR-2009	VITON O-RING
** 18	2	OR-2033	VITON O-RING
** 19	3	10-0010A	#M2 X .4 - 6G MTG SCREW
20	4	10-0012A	#6-32 X 1 SHCS
21	4	SL-4431-GDO	1/4-20 X .750 SHCS
22	4	SW20S0401	1/4-20 X 1.00 SHCS
23	4	10-0016A	1/4-20 X .750 FHCS
24	1	10-0013A	1/4-20 X 2.500 SHCS
25	1	MPS1222	PUMP NAME PLATE
26	1	SW20AS012	#5-40 X .187 BHSCS

ITEM NO.	PART OR IDENTIFYING NO.	NOMENCLATURE OR DESCRIPTION	MATERIAL SPECIFICATION	QTY REGD
PARTS LIST				
UNLESS OTHERWISE SPECIFIED DIMENSIONS ARE IN INCHES		CAD GENERATED DRAWING. DO NOT MANUALLY UPDATE		
TOLERANCES ARE:		APPROVALS DATE		
FRACTIONS	DECIMALS	ANGLES	DRAWN JAO 01/03/07	
+/- 1/32	.X = .015	= .5	CHECKED	
	.XX = .010		RESP ENG	
	.XXX = .005		MFG ENG	
MATERIAL		QUAL ENG		
FINISH		DO NOT SCALE DRAWING		
NEXT ASSY USED ON		SCALE CAD FILE: SHEET 1 OF 1		
APPLICATION		<div style="text-align: center;"> <h1>MELTPRO</h1> <h2>16:1 PISTON PUMP UPPER AIR ASSY.</h2> </div>		
		SIZE A	DWG. NO. MPS1201	REV. B

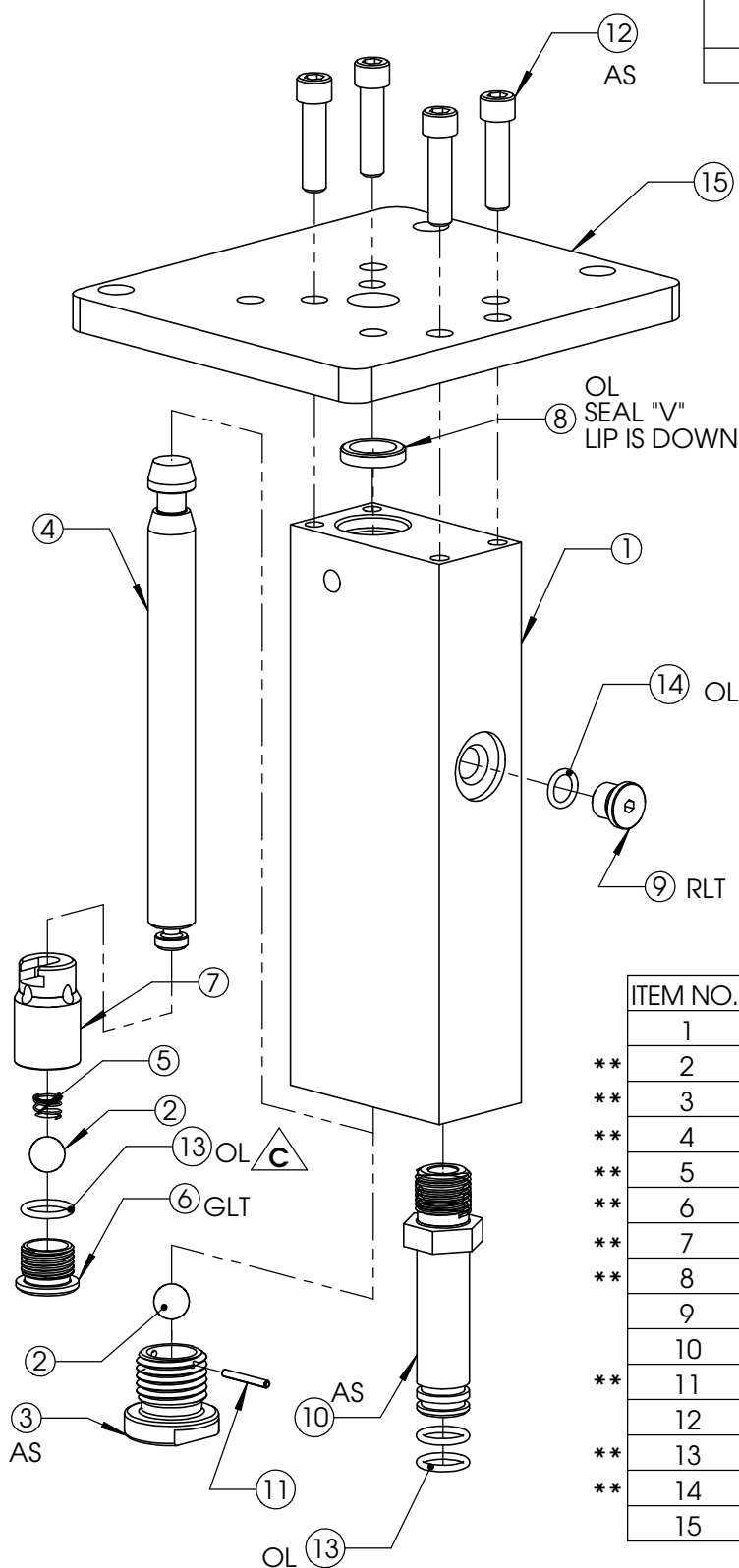
D

C

B

A

REVISIONS				
ZONE	REV.	DESCRIPTION	DATE	APPROVED
	A	UPDATED	06/14/11	
	B	ADDED MTG PLATE TO ASSY; CHANGED CROSS TUBE TO DUAL RING TYPE; CHANGED TUBE RING COUNT	02/15/12	
	C	OR-2013 was OR-2014	07/30/12	



LEGEND: (APPLY TO PART)
 GLT = 620 GREEN LOCK-TITE
 RLT = THREAD LOCKER RED LOCK-TITE
 TT = TEFLON TAPE
 AS = ANTI-SIZE
 OL = HIGH TEMP O-LUBE

** = ITEMS PART OF MPS1202-K REBUILD KIT

ITEM NO.	QTY.	PART NO.	DESCRIPTION
1	1	MPS1213	PUMP FLUID BODY
** 2	2	MPS1223	FLUID STOPPER BALL
** 3	1	MPS1212	FLUID PICKUP FITTING
** 4	1	MPS1217	FLUID PISTON SHAFT
** 5	1	MPS1216	FLUID PISTON SPRING
** 6	1	MPS1218	FLUID PISTON SEAT
** 7	1	MPS1219	FLUID PISTON BODY
** 8	1	MPS1215	FLUID SHAFT TEFLON SEAL
9	1	MPS1237	#3 O-RING PLUG
10	1	MPS1220	3000 PUMP CROSSOVER TUBE
** 11	1	MPS1214	5/64" SS SPRING PIN
12	4	SW20S0401	1/4-20 X 1.00 SHCS
** 13	3	OR-2013	VITON O-RING
** 14	1	OR-3903	VITON O-RING
15	1	MPS1210	MTG PLATE FOR NC20; MP20; 3000

PROPRIETARY AND CONFIDENTIAL
 THE INFORMATION CONTAINED IN THIS DRAWING IS THE SOLE PROPERTY OF MELTPRO. ANY REPRODUCTION IN PART OR AS A WHOLE WITHOUT THE WRITTEN PERMISSION OF MELTPRO IS PROHIBITED.

		DIMENSIONS ARE IN INCHES TOLERANCES: FRACTIONAL ± 1/64 ANGULAR: MACH ± 0.5 BEND ± ONE PLACE DECIMAL ± .015 TWO PLACE DECIMAL ± .010 THREE PLACE DECIMAL ± .005	NAME	DATE
			JAO	01/03/07
		MATERIAL	CHECKED	
			ENG APPR.	
		FINISH	MFG APPR.	
			Q.A.	
NEXT ASSY	USED ON	DO NOT SCALE DRAWING	COMMENTS:	
APPLICATION				

MELTPRO

**16:1 PISTON PUMP
LOWER FLUID ASSY.**

SIZE	DWG. NO.	REV.
A	MPS1202	C
SCALE: 1:4	WEIGHT:	SHEET 1 OF 3