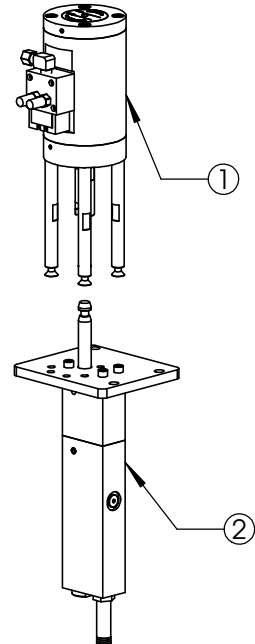
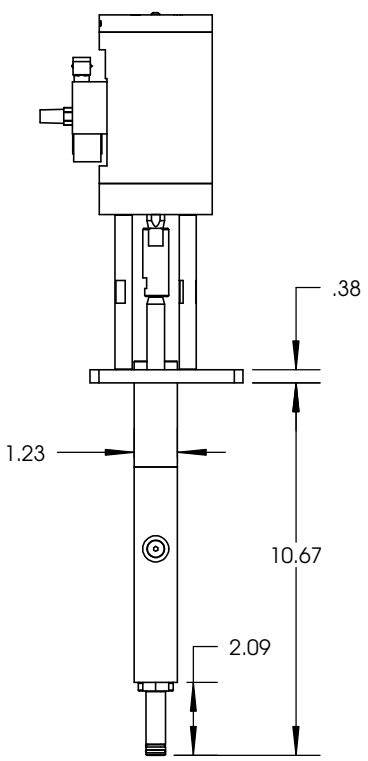
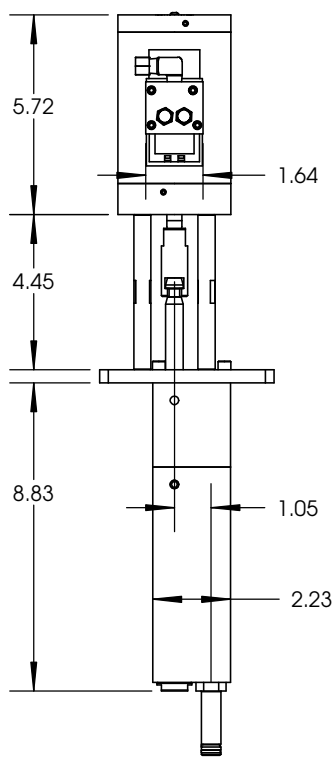
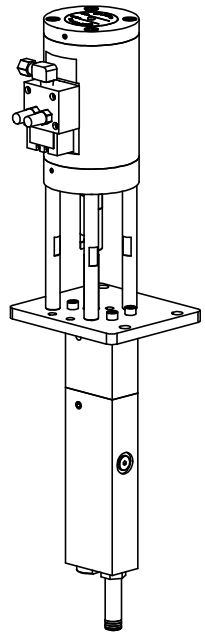


REVISIONS				
ZONE	REV.	DESCRIPTION	DATE	APPROVED
	A	UPDATED	06/14/11	
	B	ADDED MTG PLATE TO LOWER ASSY.	02/15/12	
	C	LOWER ASSY CHANGED TO REV C	07/30/12	

ITEM NO.	QTY.	PART NO.	DESCRIPTION
1	1	MPS1201	UPPER AIR CYLINDER ASSY.
2	1	MPS1204	LOWER FLUID ASSY FOR 30LB UNIT



**MPS1200-30
16:1 PISTON PUMP**



PROPRIETARY AND CONFIDENTIAL
THE INFORMATION CONTAINED IN THIS DRAWING IS THE SOLE PROPERTY OF MELTPRO. ANY REPRODUCTION IN PART OR AS A WHOLE WITHOUT THE WRITTEN PERMISSION OF MELTPRO IS PROHIBITED.

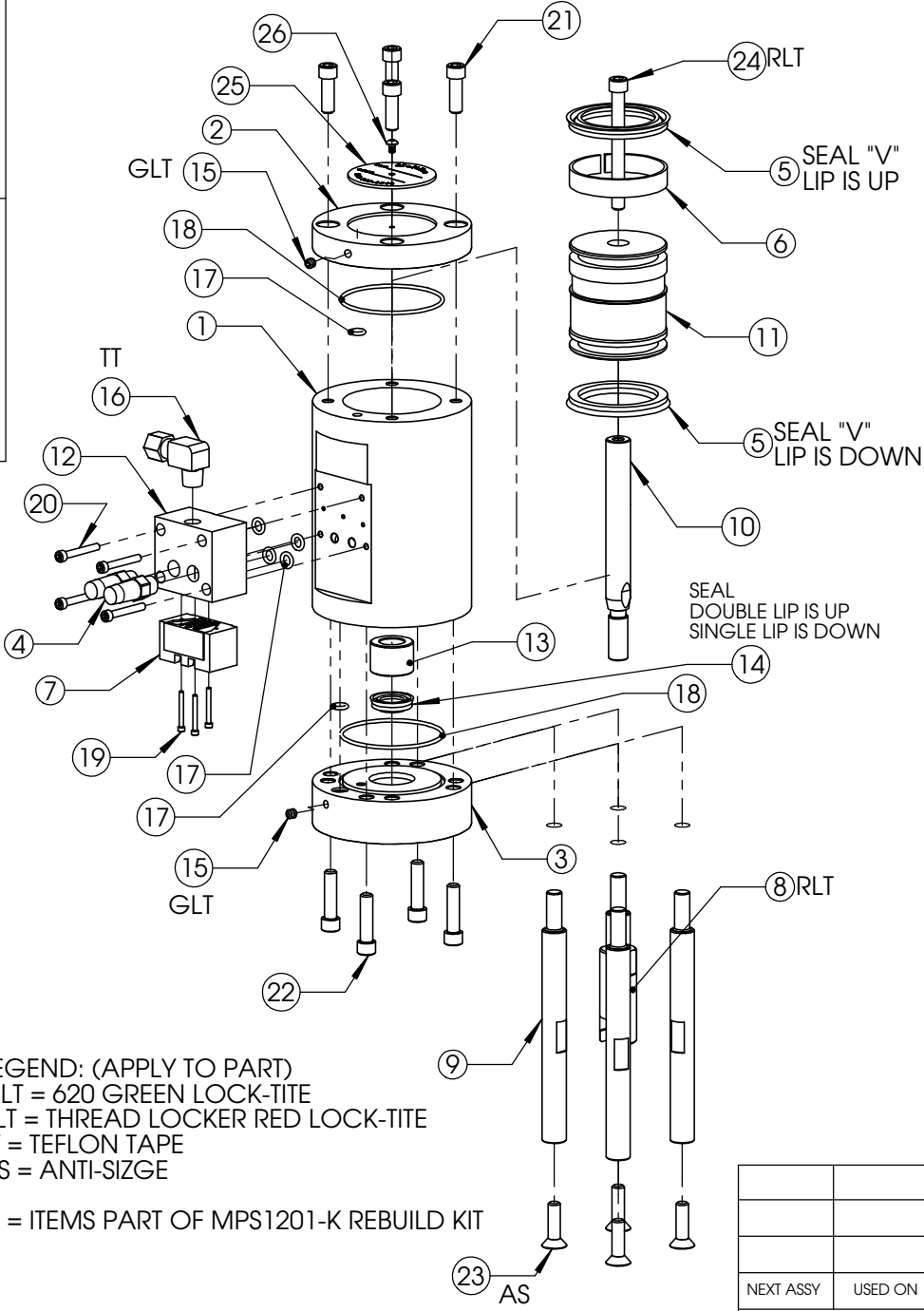
		DIMENSIONS ARE IN INCHES TOLERANCES: FRACTIONAL ± 1/64 ANGULAR: MACH ± 0.5 BEND ± ONE PLACE DECIMAL ± .015 TWO PLACE DECIMAL ± .010 THREE PLACE DECIMAL ± .005	NAME	DATE
			DRAWN	JAO 03/25/10
			CHECKED	
			ENG APPR.	
			MFG APPR.	
		MATERIAL:	Q.A.	
NEXT ASSY	USED ON	FINISH: XXXXXX	COMMENTS:	
APPLICATION		Weight: lbs.		

MELTPRO		
Description:		
16:1 HYDRALIC PISTON PUMP FITS 30LB MP20 UNITS		
SIZE A	DWG. NO. MPS1200-30	REV. C
SCALE:1:8	DO NOT SCALE DRAWING	SHEET 3 OF 4

THE INFORMATION CONTAINED IN THIS DRAWING IS THE SOLE PROPERTY OF MELTPRO. ANY REPRODUCTION IN PART OR WHOLE WITHOUT THE WRITTEN PERMISSION OF MELTPRO IS PROHIBITED.

REVISIONS

REV	DATE	DESCRIPTION
A	06/14/11	UPDATED
B	02/15/12	UPDATED



LEGEND: (APPLY TO PART)
 GLT = 620 GREEN LOCK-TITE
 RLT = THREAD LOCKER RED LOCK-TITE
 TT = TEFLON TAPE
 AS = ANTI-SIZE

** = ITEMS PART OF MPS1201-K REBUILD KIT

ITEM NO.	QTY.	PART NO.	DESCRIPTION
1	1	MPS1235	AIR CHAMBER BODY
2	1	MPS1233	AIR CHAMBER TOP
3	1	MPS1234	AIR CHAMBER BOTTOM
** 4	2	SV0009	1/8NPT LONG MUFFLER
** 5	2	MPS1230	2" BORE AIR PISTON SEAL
** 6	1	MPS1232	AIR PISTON BEARING RING
** 7	1	MPS1236	4-WAY 2 POS AIR VALVE
8	1	MPS1224	ALIGNMENT COLLET
9	4	MPS1238	STAND OFF RODS
10	1	MPS1229	AIR PISTON SHAFT
11	1	MPS1231	AIR PISTON HEAD
12	1	MPS1227	AIR VALVE BLOCK
** 13	1	MPS1228	AIR SEAL COLLET
** 14	1	MPS1225	AIR WIPER SEAL
15	2	SW20AS020	SET SCREW 10-32 X .187 CUP POINT
** 16	1	SW20AS007	90 x 1/8 compression fitting
** 17	6	OR-2009	VITON O-RING
** 18	2	OR-2033	VITON O-RING
** 19	3	10-0010A	# M2 X .4 - 6G MTG SCREW
20	4	10-0012A	# 6-32 X 1 SHCS
21	4	SL-4431-GDO	1/4-20 X .750 SHCS
22	4	SW20S0401	1/4-20 X 1.00 SHCS
23	4	10-0016A	1/4-20 X .750 FHCS
24	1	10-0013A	1/4-20 X 2.500 SHCS
25	1	MPS1222	PUMP NAME PLATE
26	1	SW20AS012	# 5-40 X .187 BHSCS

ITEM NO.	PART OR IDENTIFYING NO.	NOMENCLATURE OR DESCRIPTION	MATERIAL SPECIFICATION	QTY REGD
----------	-------------------------	-----------------------------	------------------------	----------

PARTS LIST

UNLESS OTHERWISE SPECIFIED DIMENSIONS ARE IN INCHES
 TOLERANCES ARE:
 FRACTIONS DECIMALS ANGLES
 +/- 1/32 .X = .015 = .5
 .XX = .010
 .XXX = .005

CAD GENERATED DRAWING. DO NOT MANUALLY UPDATE

APPROVALS	DATE
DRAWN	JAO 01/03/07
CHECKED	
RESP ENG	
MFG ENG	
QUAL ENG	

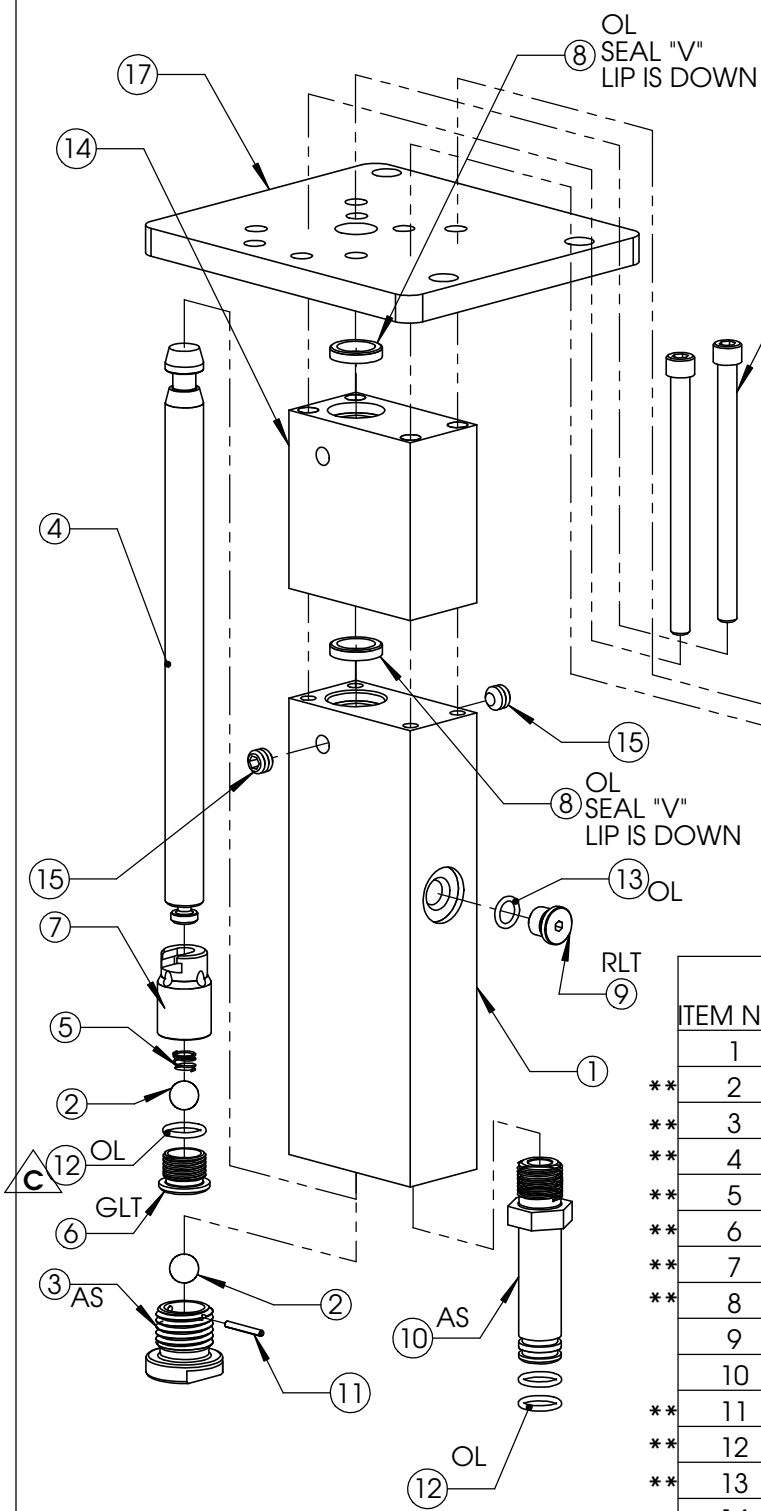
MELTPRO

16:1 PISTON PUMP UPPER AIR ASSY.

SIZE A	DWG. NO. MPS1201	REV. B
SCALE	CAD FILE:	SHEET 1 OF 1

NEXT ASSY	USED ON
APPLICATION	DO NOT SCALE DRAWING

REVISIONS				
ZONE	REV.	DESCRIPTION	DATE	APPROVED
	A	UPDATED	06/14/11	
	B	ADDED MTG PLATE TO ASSY; CHANGED CROSS TUBE TO DUAL RING TYPE; CHANGED TUBE RING COUNT	02/15/12	
	C	OR-2013 was OR-2014	07/30/12	



LEGEND: (APPLY TO PART)
 GLT = 620 GREEN LOCK-TITE
 RLT = THREAD LOCKER RED LOCK-TITE
 TT = TEFLON TAPE
 AS = ANTI-SIZE
 OL = HIGH TEMP O-LUBE

** = ITEMS PART OF MPS1204-K REBUILD KIT

ITEM NO.	QTY.	PART NO.	DESCRIPTION
1	1	MPS1213	PUMP FLUID BODY
** 2	2	MPS1223	FLUID STOPPER BALL
** 3	1	MPS1212	FLUID PICKUP FITTING
** 4	1	MPS1240	FLUID PISTON SHAFT
** 5	1	MPS1216	FLUID PISTON SPRING
** 6	1	MPS1218	FLUID PISTON SEAT
** 7	1	MPS1219	FLUID PISTON BODY
** 8	2	MPS1215	FLUID SHAFT TEFLON SEAL
9	1	MPS1237	#3 O-RING PLUG
10	1	MPS1220	3000 PUMP CROSSOVER TUBE
** 11	1	MPS1214	5/64" SS SPRING PIN
** 12	3	OR-2013	VITON O-RING
** 13	1	OR-3903	VITON O-RING
14	1	MPS1239	FLUID BODY EXTENSION
15	2	SW20M0115	1/16-27 PIPE PLUG
16	4	10-0013B	1/4-20 X 3.50 SHCS
17	1	MPS1210	MTG PLATE FOR NC20; MP20; 3000

PROPRIETARY AND CONFIDENTIAL
 THE INFORMATION CONTAINED IN THIS DRAWING IS THE SOLE PROPERTY OF MELTPRO. ANY REPRODUCTION IN PART OR AS A WHOLE WITHOUT THE WRITTEN PERMISSION OF MELTPRO IS PROHIBITED.

		DIMENSIONS ARE IN INCHES TOLERANCES: FRACTIONAL ± 1/64 ANGULAR: MACH ± 0.5 BEND ± ONE PLACE DECIMAL ± .015 TWO PLACE DECIMAL ± .010 THREE PLACE DECIMAL ± .005
		MATERIAL:
NEXT ASSY	USED ON	FINISH: XXXXXX
APPLICATION		Weight: lbs.

	NAME	DATE
DRAWN	JAO	03/25/10
CHECKED		
ENG APPR.		
MFG APPR.		
Q.A.		
COMMENTS:		

MELTPRO

Description:

**16:1 PISTON PUMP
LOWER FLUID ASSY.
FOR 30LB PUMP**

SIZE	DWG. NO.	REV.
A	MPS1204	C
SCALE: 1:4	DO NOT SCALE DRAWING	SHEET 3 OF 3