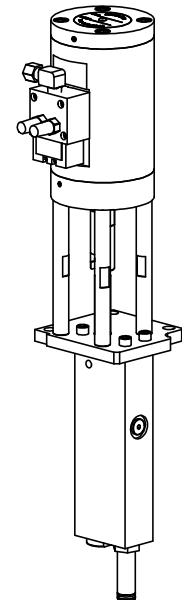


**MPS1100  
16:1 PISTON PUMP**



REVISIONS				
ZONE	REV.	DESCRIPTION	DATE	APPROVED
	A	UPDATED	06/14/11	
	B	ADDED MTG PLATE TO LOWER ASSY.	02/15/12	
	C	LOWER ASSY CHANGED TO REV C	07/30/12	

ITEM NO.	QTY.	PART NO.	DESCRIPTION
1	1	MPS1201	UPPER AIR CYLINDER ASSY.
2	1	MPS1203	LOWER FLUID ASSY FOR 2300

**PROPRIETARY AND CONFIDENTIAL**  
THE INFORMATION CONTAINED IN THIS DRAWING IS THE SOLE PROPERTY OF MELTPRO. ANY REPRODUCTION IN PART OR AS A WHOLE WITHOUT THE WRITTEN PERMISSION OF MELTPRO IS PROHIBITED.

		DIMENSIONS ARE IN INCHES TOLERANCES: FRACTIONAL $\pm 1/64$ ANGULAR: MACH $\pm 0.5$ BEND $\pm$ ONE PLACE DECIMAL $\pm .015$ TWO PLACE DECIMAL $\pm .010$ THREE PLACE DECIMAL $\pm .005$	NAME	DATE
			DRAWN	JAO 01/03/07
			CHECKED	
			ENG APPR.	
			MFG APPR.	
		MATERIAL:	Q.A.	
NEXT ASSY	USED ON	FINISH: XXXXXX	COMMENTS:	
APPLICATION		Weight: lbs.		

<b>MELTPRO</b>		
Description:		
<b>16:1 HYDRALIC PISTON PUMP FITS 2300</b>		
SIZE	DWG. NO.	REV.
<b>A</b>	<b>MPS1100</b>	<b>C</b>
SCALE: 1:8	DO NOT SCALE DRAWING	SHEET 2 OF 4

THE INFORMATION CONTAINED IN THIS DRAWING IS THE SOLE PROPERTY OF MELTPRO. ANY REPRODUCTION IN PART OR WHOLE WITHOUT THE WRITTEN PERMISSION OF MELTPRO IS PROHIBITED.

REVISIONS

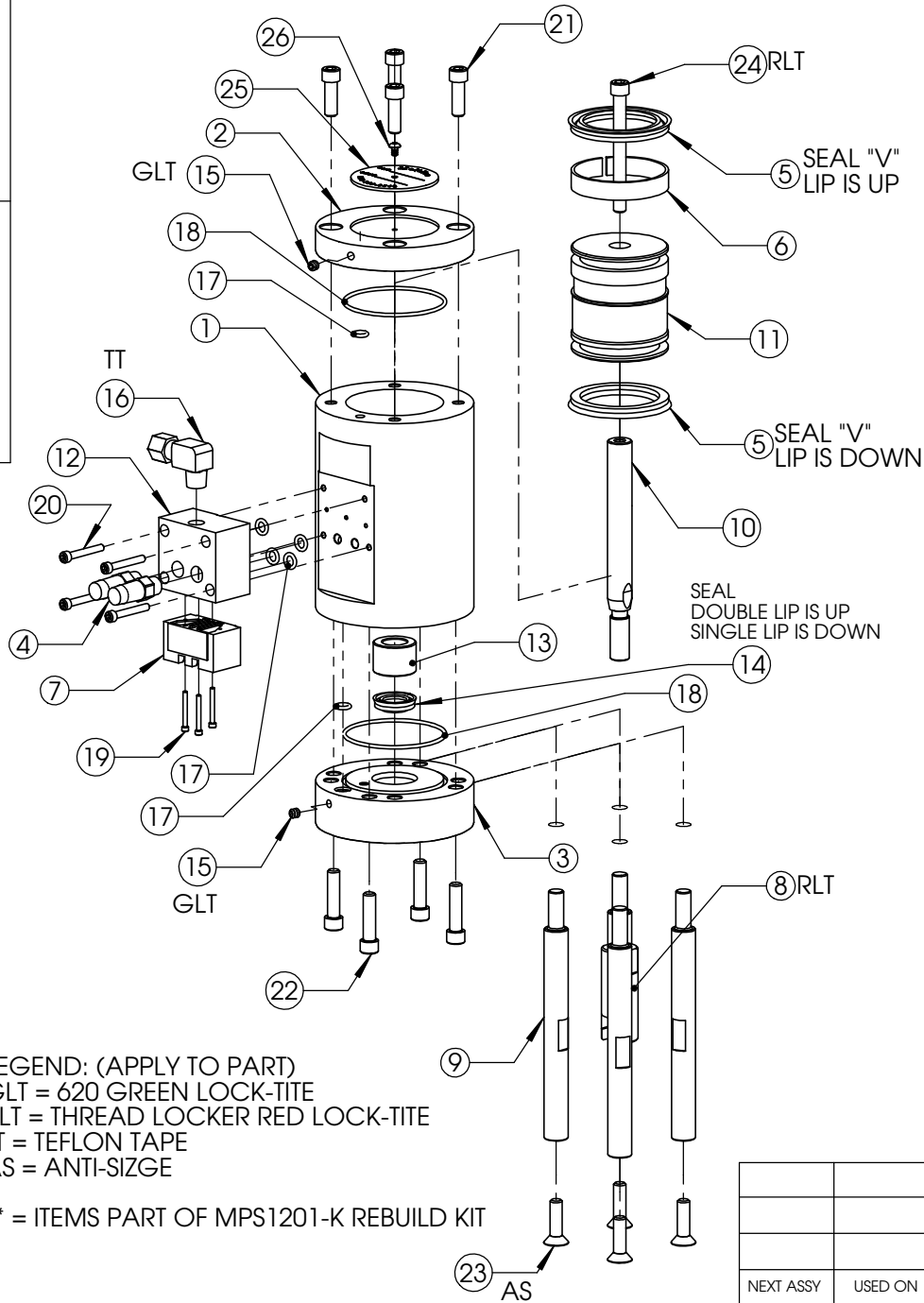
REV	DATE	DESCRIPTION
A	06/14/11	UPDATED
B	02/15/12	UPDATED

D

C

B

A



LEGEND: (APPLY TO PART)  
 GLT = 620 GREEN LOCK-TITE  
 RLT = THREAD LOCKER RED LOCK-TITE  
 TT = TEFLON TAPE  
 AS = ANTI-SIZE

\*\* = ITEMS PART OF MPS1201-K REBUILD KIT

ITEM NO.	QTY.	PART NO.	DESCRIPTION
1	1	MPS1235	AIR CHAMBER BODY
2	1	MPS1233	AIR CHAMBER TOP
3	1	MPS1234	AIR CHAMBER BOTTOM
** 4	2	SV0009	1/8NPT LONG MUFFLER
** 5	2	MPS1230	2" BORE AIR PISTON SEAL
** 6	1	MPS1232	AIR PISTON BEARING RING
** 7	1	MPS1236	4-WAY 2 POS AIR VALVE
8	1	MPS1224	ALIGNMENT COLLET
9	4	MPS1238	STAND OFF RODS
10	1	MPS1229	AIR PISTON SHAFT
11	1	MPS1231	AIR PISTON HEAD
12	1	MPS1227	AIR VALVE BLOCK
** 13	1	MPS1228	AIR SEAL COLLET
** 14	1	MPS1225	AIR WIPER SEAL
15	2	SW20AS020	SET SCREW 10-32 X .187 CUP POINT
** 16	1	SW20AS007	90 x 1/8 compression fitting
** 17	6	OR-2009	VITON O-RING
** 18	2	OR-2033	VITON O-RING
** 19	3	10-0010A	#M2 X .4 - 6G MTG SCREW
20	4	10-0012A	#6-32 X 1 SHCS
21	4	SL-4431-GDO	1/4-20 X .750 SHCS
22	4	SW20S0401	1/4-20 X 1.00 SHCS
23	4	10-0016A	1/4-20 X .750 FHCS
24	1	10-0013A	1/4-20 X 2.500 SHCS
25	1	MPS1222	PUMP NAME PLATE
26	1	SW20AS012	#5-40 X .187 BHSCS

ITEM NO.	PART OR IDENTIFYING NO.	NOMENCLATURE OR DESCRIPTION	MATERIAL SPECIFICATION	QTY REGD
PARTS LIST				
UNLESS OTHERWISE SPECIFIED DIMENSIONS ARE IN INCHES TOLERANCES ARE:		CAD GENERATED DRAWING. DO NOT MANUALLY UPDATE		<b>MELTPRO</b>
FRACTIONS DECIMALS ANGLES		APPROVALS DATE		
+/- 1/32 .X = .015 = .5		DRAWN JAO 01/03/07		
.XX = .010 .XXX = .005		CHECKED		
MATERIAL		RESP ENG		<b>16:1 PISTON PUMP UPPER AIR ASSY.</b>
FINISH		MFG ENG		
DO NOT SCALE DRAWING		QUAL ENG		
NEXT ASSY	USED ON	SCALE	DWG. NO. CAD FILE:	REV. SHEET 1 OF 1
APPLICATION		MPS1201		B

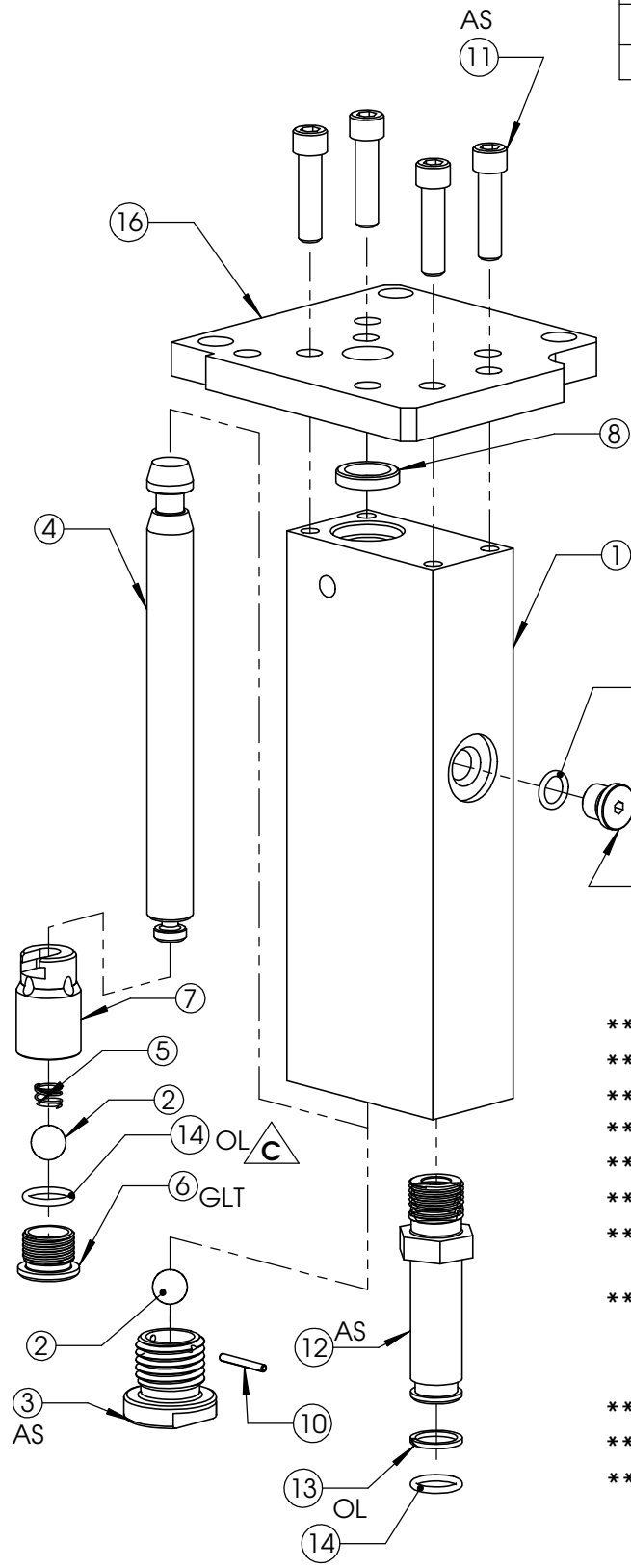
D

C

B

A

REVISIONS				
ZONE	REV.	DESCRIPTION	DATE	APPROVED
	A	UPDATED	06/14/11	
	B	ADDED MTG PLATE TO ASSY	02/15/12	
	C	OR-2013 was OR-2014	07/30/12	



LEGEND: (APPLY TO PART)  
 GLT = 620 GREEN LOCK-TITE  
 RLT = THREAD LOCKER RED LOCK-TITE  
 TT = TEFLON TAPE  
 AS = ANTI-SIZGE  
 OL = HIGH TEMP O-LUBE

\*\* = ITEMS PART OF MPS1203-K REBUILD KIT

ITEM NO.	QTY.	PART NO.	DESCRIPTION
1	1	MPS1213	PUMP FLUID BODY
** 2	2	MPS1223	FLUID STOPPER BALL
** 3	1	MPS1212	FLUID PICKUP FITTING
** 4	1	MPS1217	FLUID PISTON SHAFT
** 5	1	MPS1216	FLUID PISTON SPRING
** 6	1	MPS1218	FLUID PISTON SEAT
** 7	1	MPS1219	FLUID PISTON BODY
** 8	1	MPS1215	FLUID SHAFT TEFLON SEAL
9	1	MPS1237	# 3 O-RING PLUG
** 10	1	MPS1214	5/64" SS SPRING PIN
11	4	SW20S0401	1/4-20 X 1.00 SHCS
12	1	NO-4546	2300 PUMP CROSSOVER TUBE
** 13	1	OR-4013T	TEFLON SPLIT RING
** 14	2	OR-2013	VITON O-RING
** 15	1	OR-3903	VITON O-RING
16	1	MPS1211	MTG PLATE FOR 2300

**PROPRIETARY AND CONFIDENTIAL**  
 THE INFORMATION CONTAINED IN THIS DRAWING IS THE SOLE PROPERTY OF MELTPRO. ANY REPRODUCTION IN PART OR AS A WHOLE WITHOUT THE WRITTEN PERMISSION OF MELTPRO IS PROHIBITED.

		DIMENSIONS ARE IN INCHES TOLERANCES: FRACTIONAL ± 1/64 ANGULAR: MACH ± 0.5 BEND ± ONE PLACE DECIMAL ± .015 TWO PLACE DECIMAL ± .010 THREE PLACE DECIMAL ± .005
		MATERIAL:
NEXT ASSY	USED ON	FINISH: <b>XXXXXX</b>
APPLICATION		Weight: <b>lbs.</b>

	NAME	DATE
DRAWN	JAO	01/02/07
CHECKED		
ENG APPR.		
MFG APPR.		
Q.A.		
COMMENTS:		

**MELTPRO**

Description:

**16:1 PISTON PUMP  
LOWER FLUID ASSY.  
FOR MPS1100 PUMP**

SIZE	DWG. NO.	REV.
<b>A</b>	<b>MPS1203</b>	<b>C</b>
SCALE: 1:4	DO NOT SCALE DRAWING	SHEET 2 OF 3